

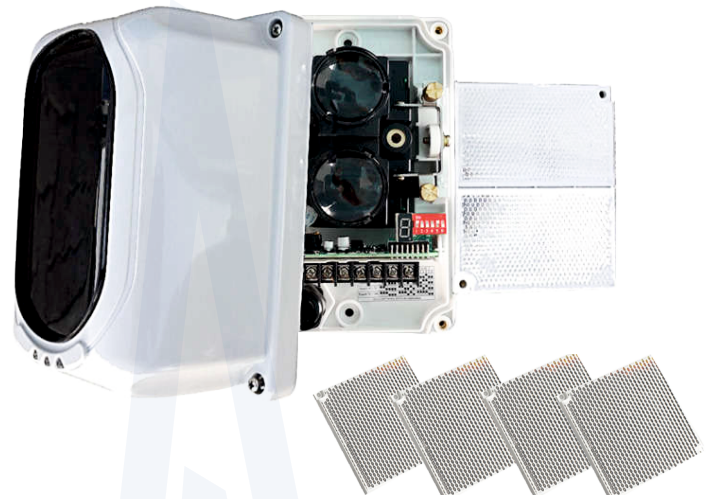
BEAM Detector

MODEL: AS-801-BEAM

Description:

In areas where normal point-type smoke detectors can not be used, beam detectors can be used for automatic smoke detection. AS-801-BEAM is a four-wire conventional smoke detector. This beam detector can be used in areas like high Ceiling (Ceiling high More than 21 feet) areas, larger open areas, and double height areas.

AS-801 BEAM consists of two parts-Transmitter/Receiver and Reflector. Both parts are installed on the wall facing each other. When smoke enters the area between the transmitter & reflector, the smoke causes a reduction in the signal. When the smoke level reaches the predetermined threshold, an alarm is activated.



Feature:

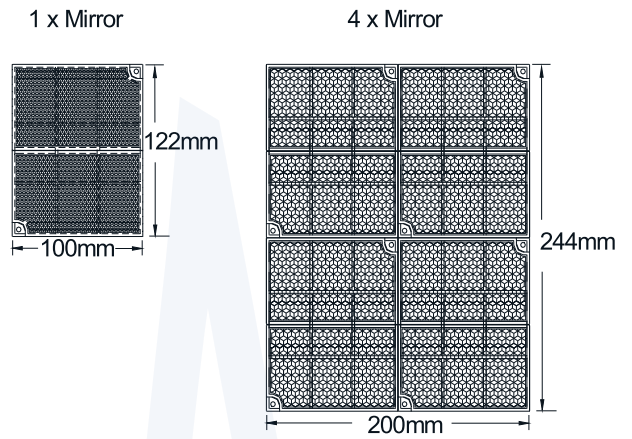
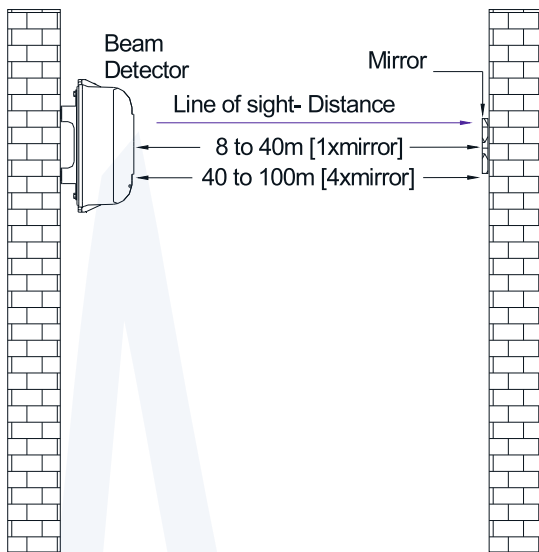
Feature and Benefits

1. Hassle-free alignment, built with digital guide display and laser beam pointing.
2. Employ a single-ended design through the reflective mirror.
3. Four ranges wide monitoring from 8-100 metres via an encoder.
4. Three users programming sensitivity adjustment.
5. Built-in microprocessor.
6. Self-diagnosis function can monitor for internal faults.
7. Automatic compensation for factors weakening received signals, such as dust contamination, positional movement, and aging of the transmitter.
8. Fire and Fault interfacing relays.
9. Attractive and pleasing appearance.
10. Real User-friendly alignment method.

Technical specification:

Technical Specification

Part Number	ASES-801-BEAM
Standard Listed	LPCB Certification
Fire Detection and Alarm Systems Specification	BS 5839 Part 1:2017
Operating Voltage	20 V to 28 V DC
Current Parameters	Standby: 23mA Commission: 56mA Alarm: 33mA
Beam Sensor Sensitivity	Level 1: 2.6 dB High Sensitivity [via Encoder] Level 2: 3.8 dB Medium Sensitivity Level 3: 5.8 dB Low Sensitivity
Beam Path Length [via Encoder]	Span 1: 8 to 20 meters Limited Path Span 2: 20 to 40 meters Short Path Span 3: 40 to 70 meters Normal Path Span 4: 70 to 100 meters Long Path
Beam Path Angle	±0.4° Directional (This data takes the average of the left and right deflection angles.)
Alignment Guide	Laser Beam Pointer
Digital Display Guide	Nixie Tube
LED Indicator Guide	Red: Fire ; Yellow: Fault ; Green: Alignment
Reset Time	Less than 2 Second



Connection Diagram:

